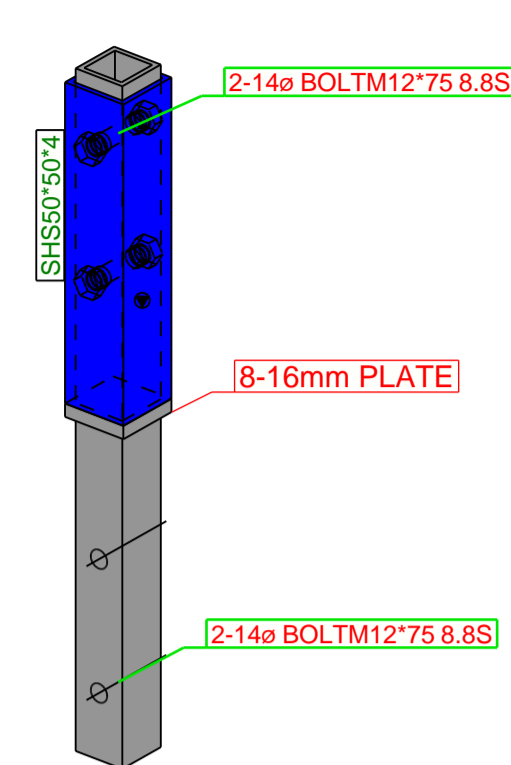
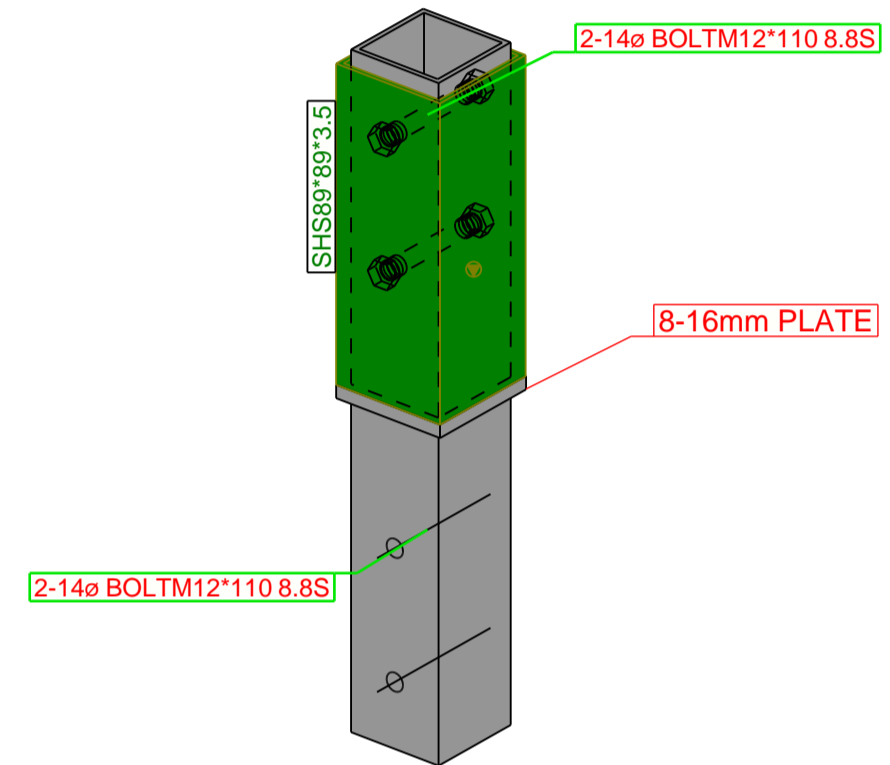


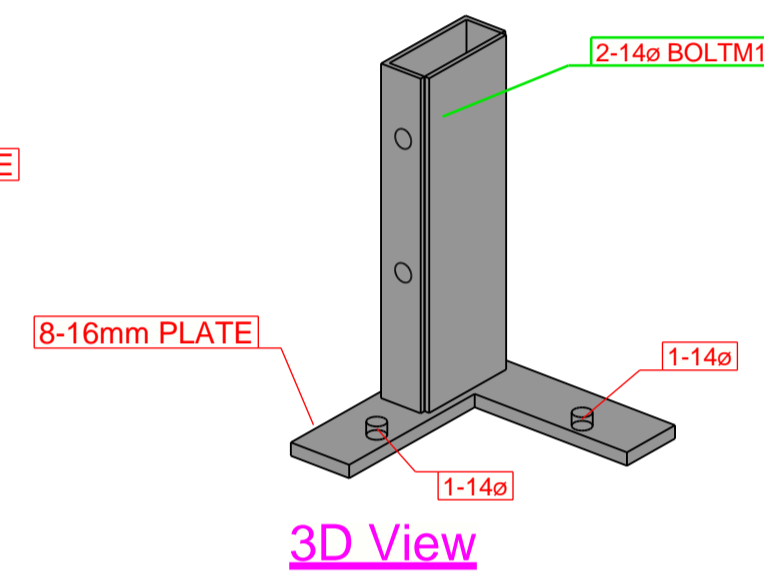
RHS 100*50 COLUMN TO COLUMN



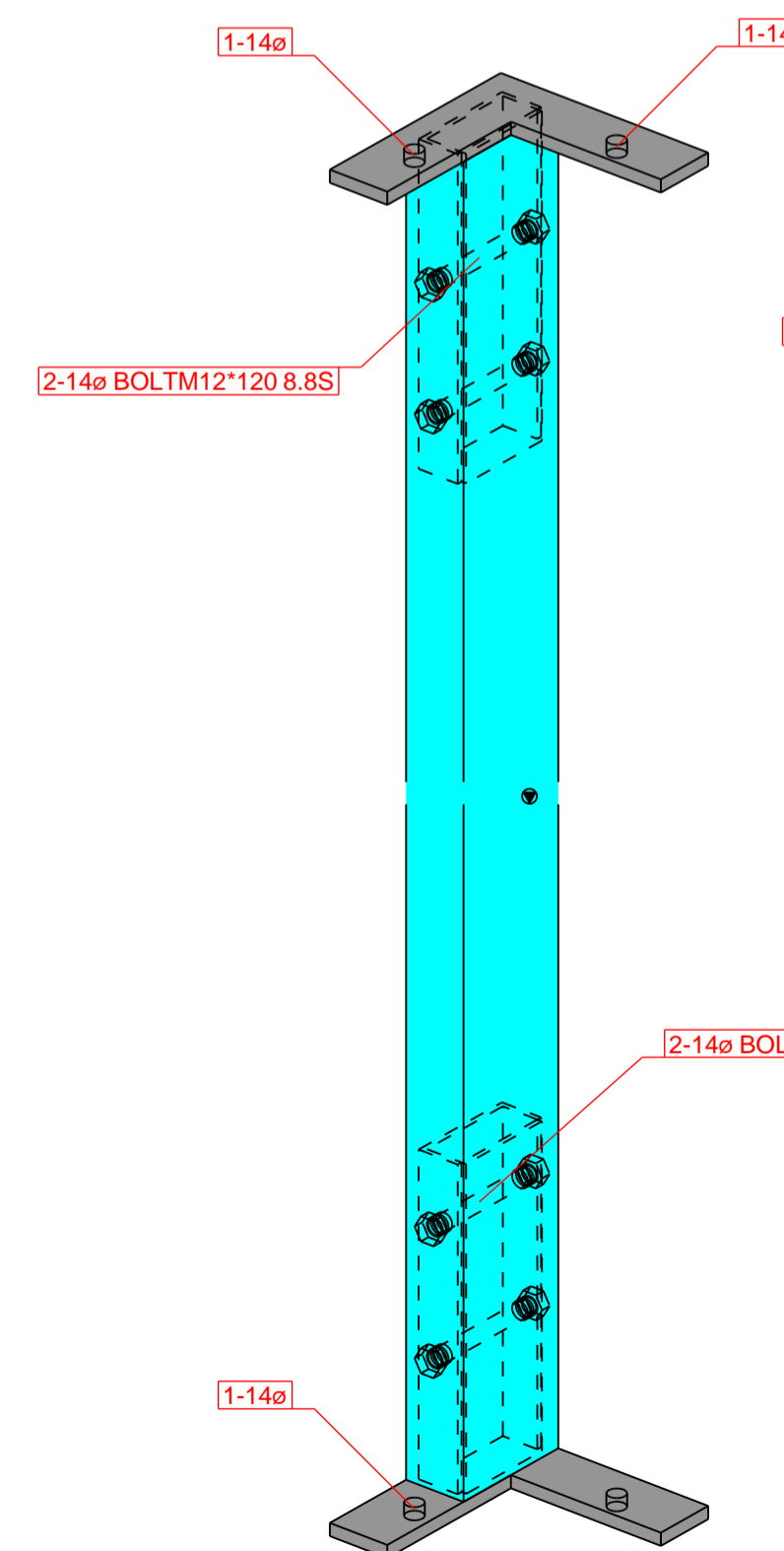
SHS 50*50 COLUMN TO COLUMN



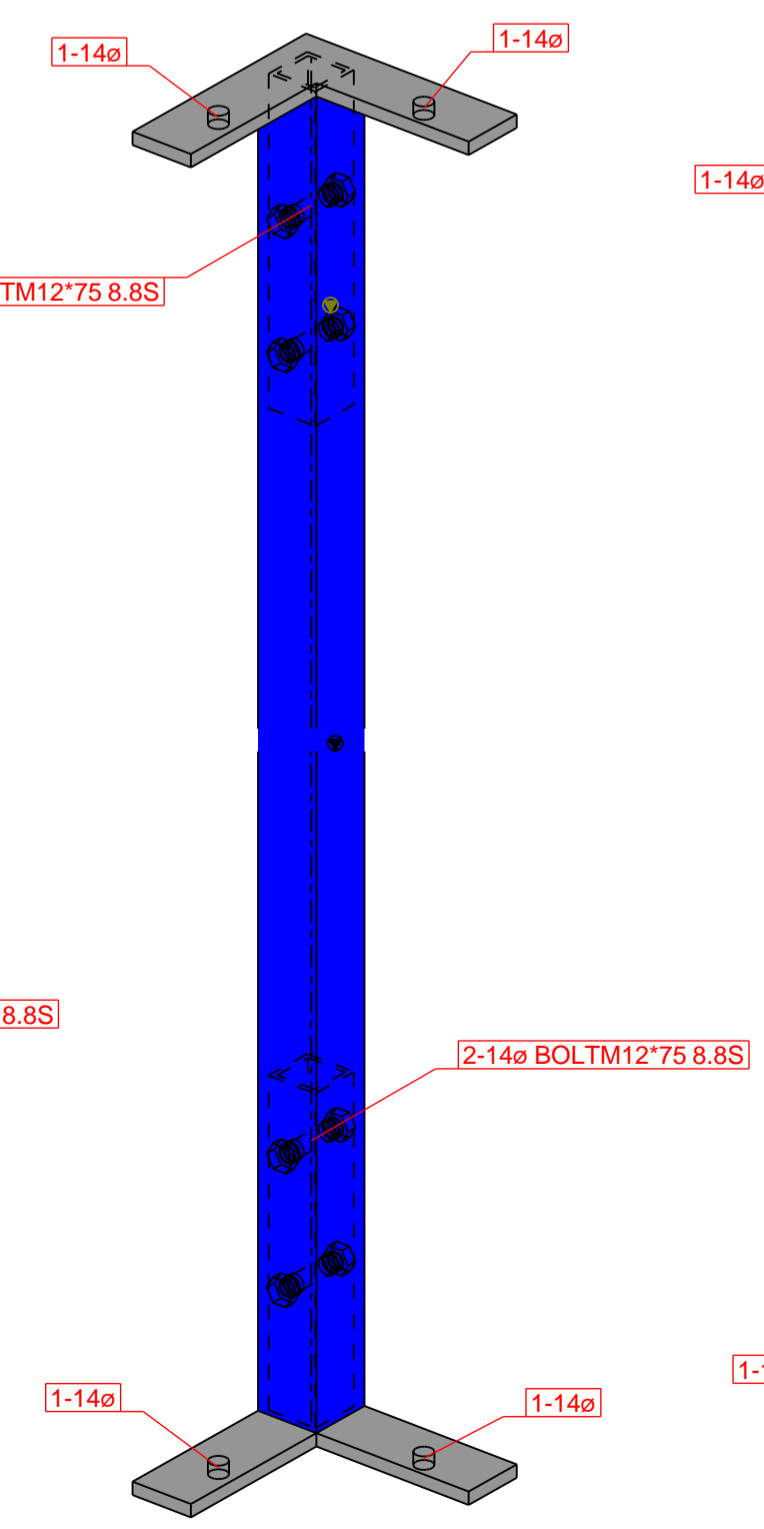
SHS 89*89 COLUMN TO COLUMN



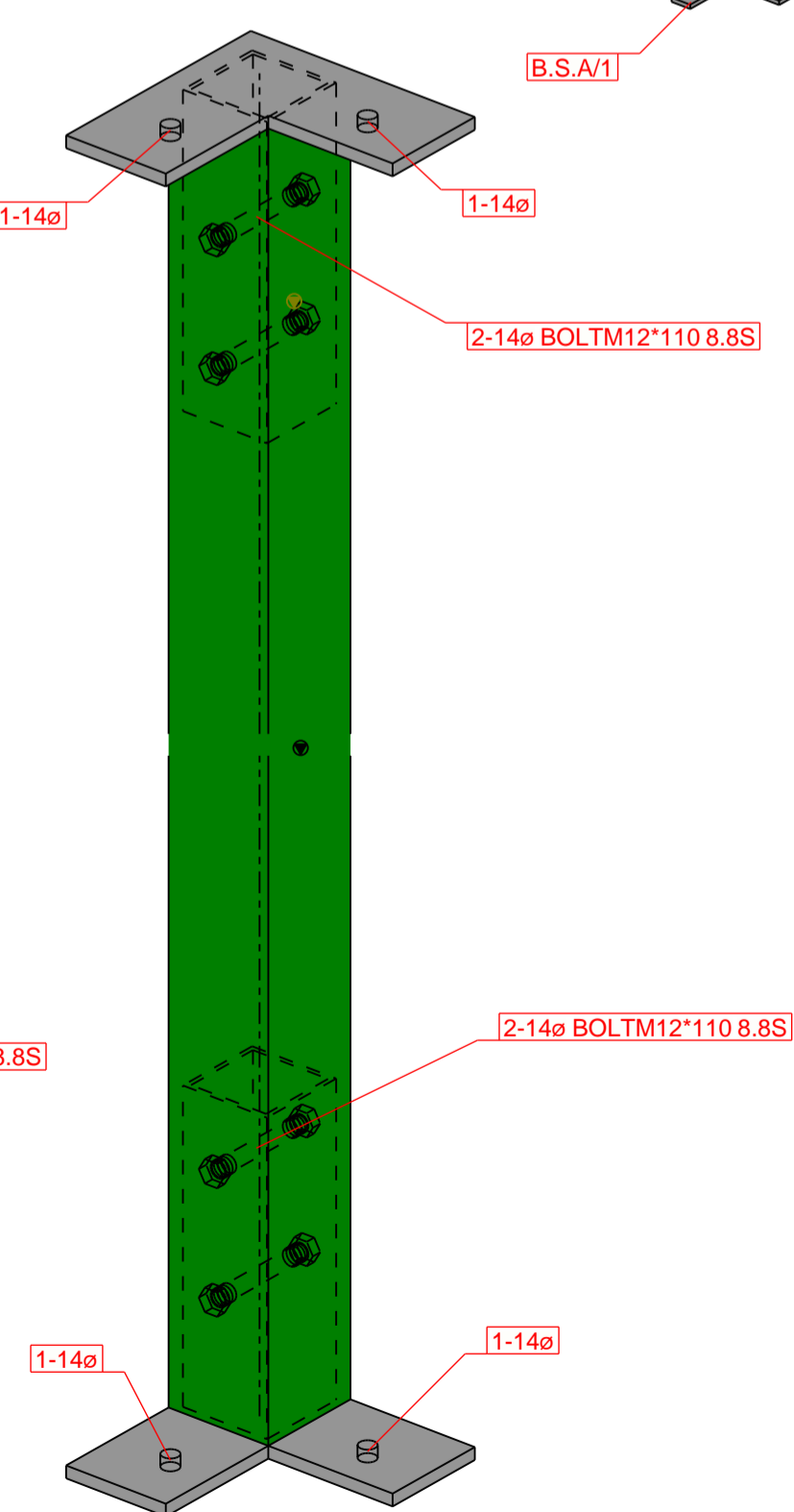
3D View



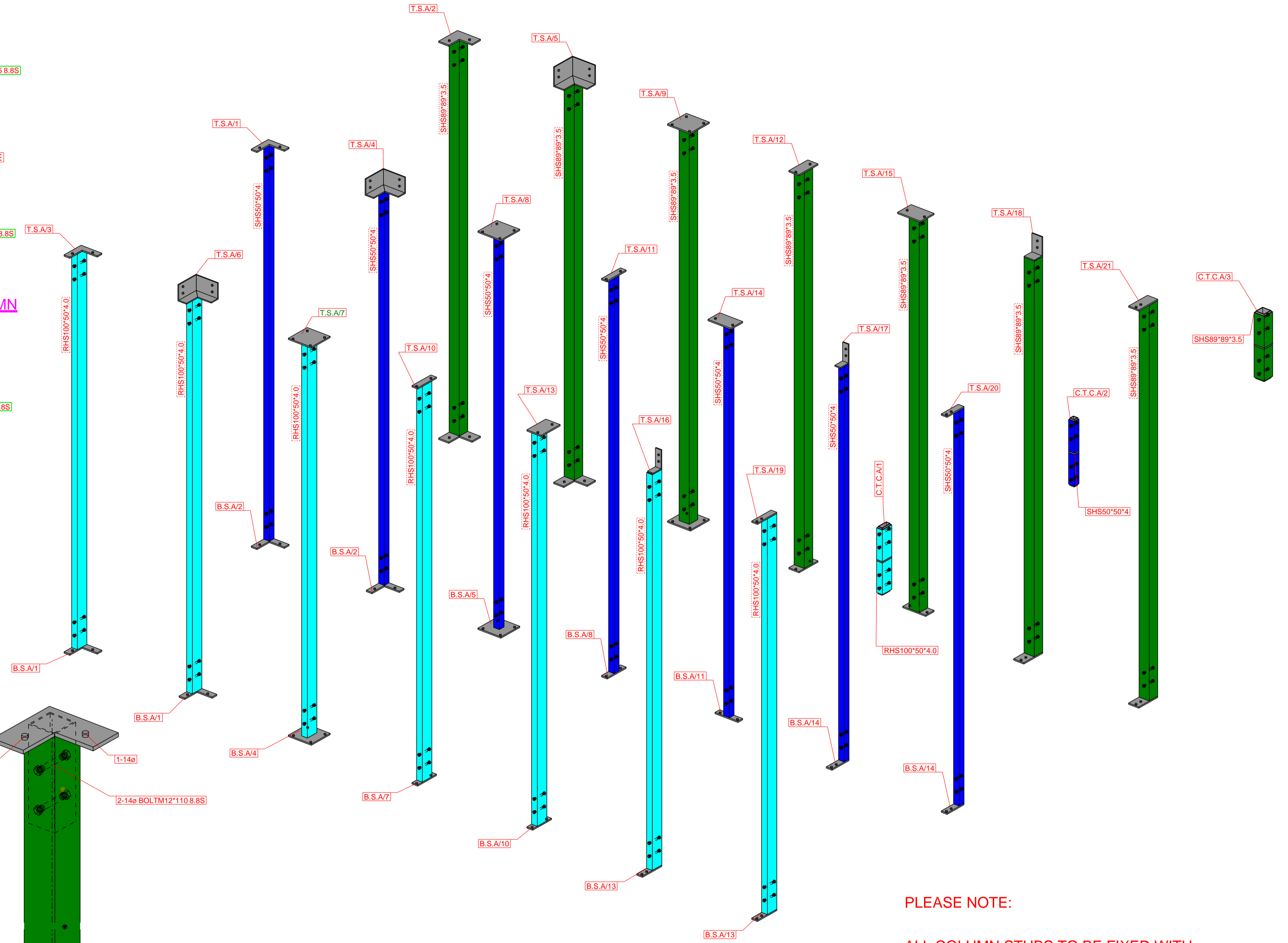
RHS 100*50*4.0



SHS 50*50*4.0



SHS 89*89*5.0



PLEASE NOTE:

ALL COLUMN STUBS TO BE FIXED WITH 2 OF GALV M12 GRADE 8.8 BOLTS

ALL COLUMN TO COLUMNS TO BE FIXED WITH 4 OF GALV M12 GRADE 8.8 BOLTS

ALL COLUMNS TO BE 3000mm LONG

Notes:	Rev	By	Date	Description
<p>COLUMN & STUBS Standard Galv Columns</p> <p>STANDARD COLUMNS STUBS</p>				
<p>Scale: 1:15 Project No: 2024-0153 Drawing No: STUBS</p>				<p>Drawn By: J.DP</p> <p>Checked By:</p> <p>Approved By:</p>
<p>Size: A1</p>				<p>Rev</p>

